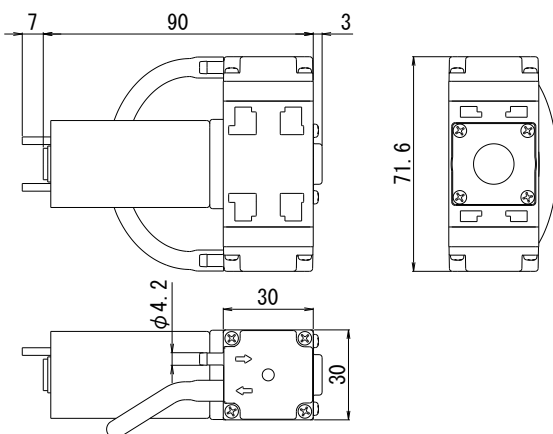


[Under Development]

EXTERNAL DIMENSIONS

Brushed Motor

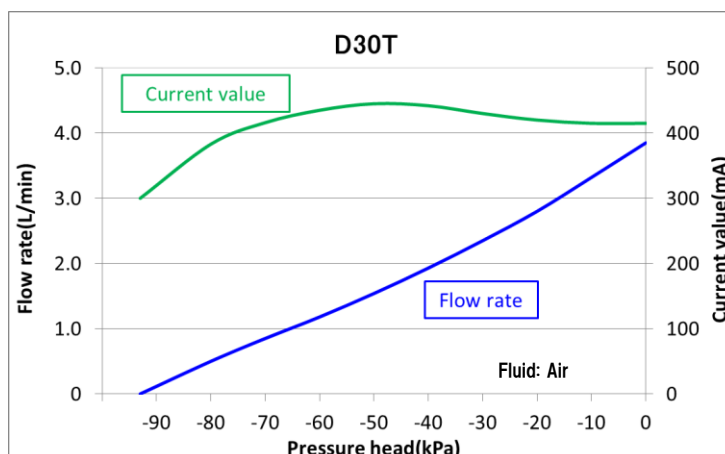


SPECIFICATIONS

Model Number	D30T_0001_D
Motor	DC Brushed Motor
Type	Degassing Pump
Rated Voltage	DC 24V
Flow Rate at 0kPa	> 3.5L/min
Current Consumption at 0kPa	< 500mA
Maximum Vacuum Pressure	-90kPa
Ambient Temperature Range	5 - 50°C
Durability	1000H
Noise level	-
Port Connection	Inlet: Hose Barb (Tube Retaining Design) Outlet: Hose Barb (Tube Retaining Design)
Weight	210g
Food Sanitation Act	-

Note: Values are tentative and subject to change.

CHARACTERISTIC CURVE



Note: Details such as specifications, etc., may be changed without notice.

